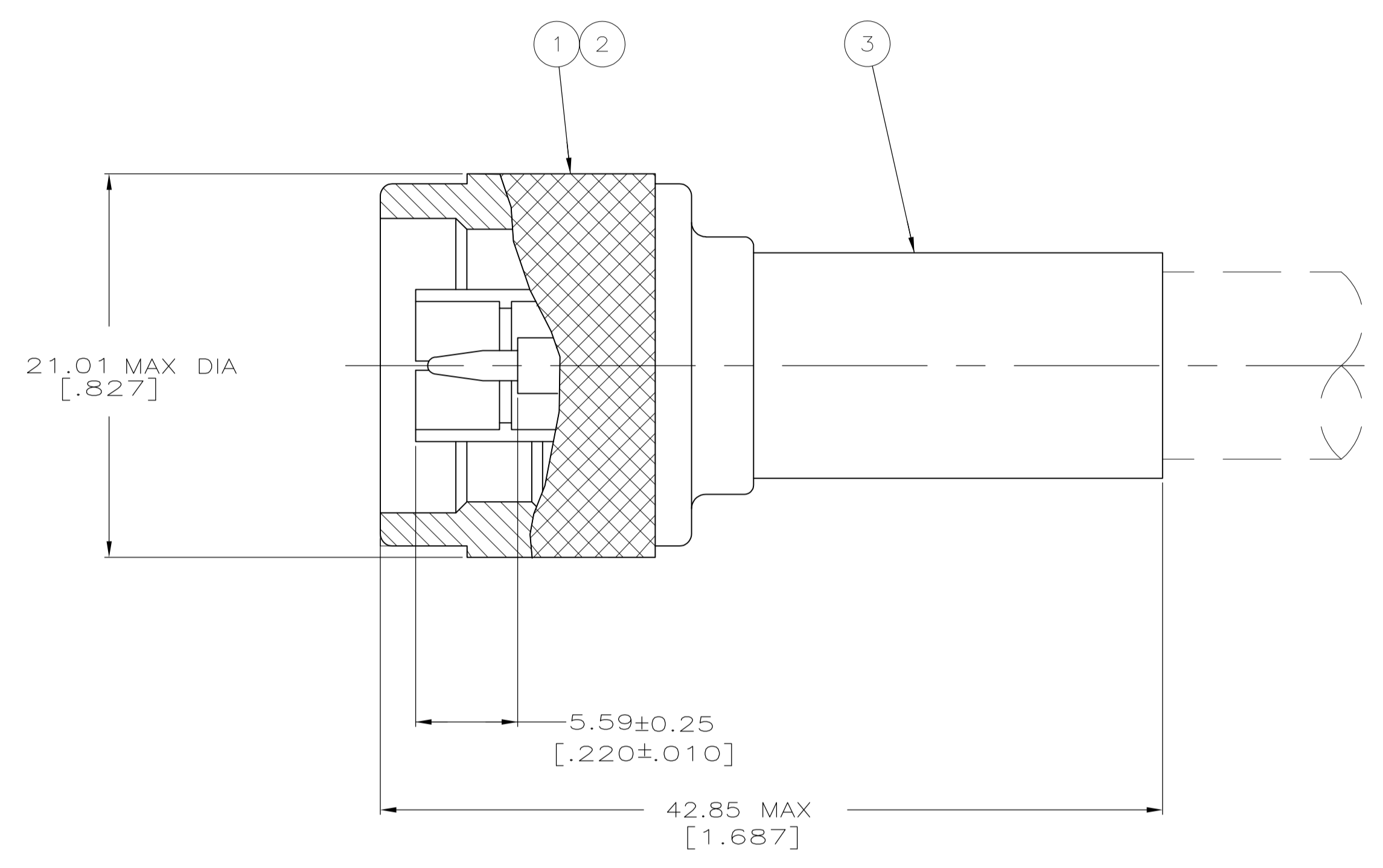
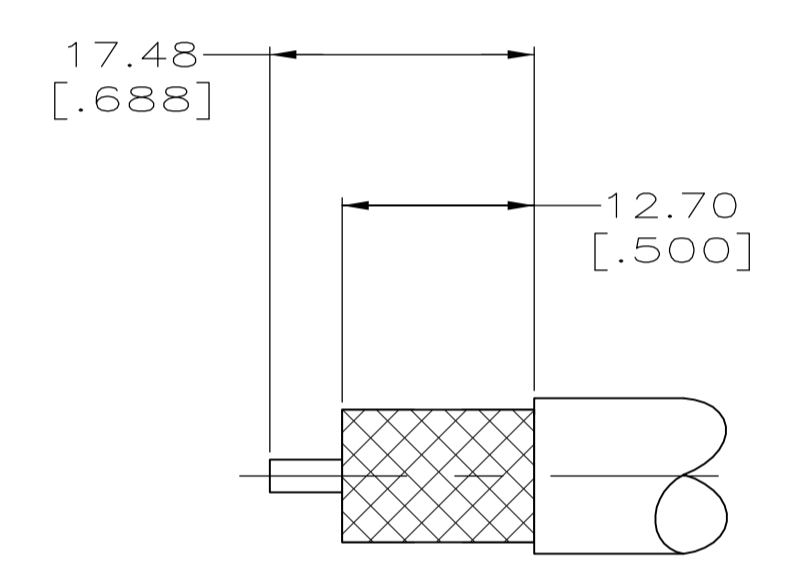


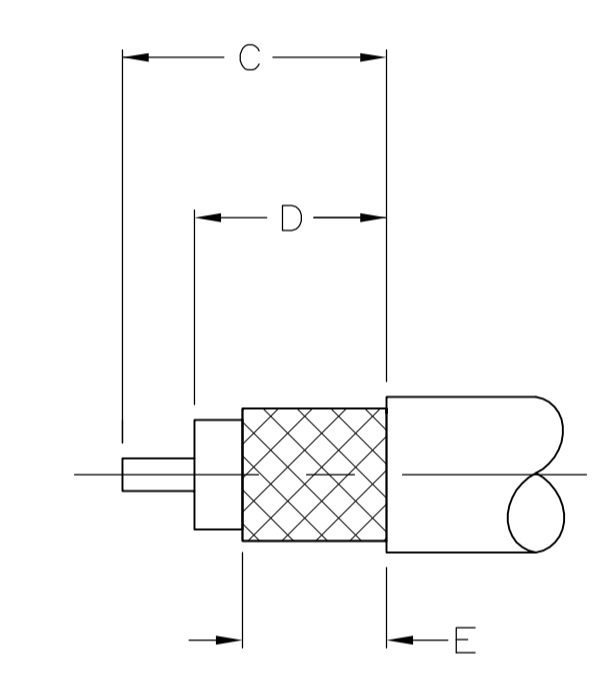
LOC	DIST	REVISIONS			
		REV	DESCRIPTION	DATE	BY
AJ	16	0	REV PER EC-0514-0496-04	31JAN2005	AF
		01	REVISED PER ECO-09-024606	31OCT09	KK AEG



- 1. SEE I.S. 2028-1
- 2. SEE SEPERATE RESTRICTED CUSTOMER DRAWING
- 3. OBSOLETE PARTS: OBSOLETE CIS STREAMLINING PER D.RENAUD/D.SINISI



DETAIL A
SCALE 2:1



DETAIL B
SCALE 2:1

RECOMMENDED STRIP LENGTH

OBSOLETE											
	BELDEN 8214	220015-1	9.53 [.375]	12.70 [.500]	17.45 [.687]	B	9-51713-0	1-51695-2	51701-6	1-5225661-8	
	RG-55A & 223	220045-2	8.71 [.343]	10.31 [.406]	15.09 [.594]	B	9-225382-0	225343-2	225342-3	1-5225661-3	
	RG-58A/U & 58C/U	220045-2	8.71 [.343]	10.31 [.406]	15.09 [.594]	B	9-225381-0	225343-2	225342-3	1-5225661-2	
	RG-213/U	220015-1	9.53 [.375]	12.70 [.500]	17.45 [.687]	B	9-51713-0	2-51695-1	51701-6	5225661-2	
	RG-9/U & 214/U	220015-1	-	-	-	A	9-51713-0	2-51695-1	51701-6	5225661-1	
	CABLE	CRIMPING TOOL	E	D	C	DETAIL	3 FERRULE QTY=1	2 CONTACT QTY=1	1 PLUG ASSY QTY=1	PART NUMBER	

THIS DRAWING IS A CONTROLLED DOCUMENT.

DIMENSIONS: MM [INCHES]	TOLERANCES UNLESS OTHERWISE SPECIFIED:	DRAWN: A. FERNANDEZ-DOCKS	DATE: 31JAN2005	Tyco Electronics Corporation Harrisburg, PA 17105-3608
		CHK: J. HAVENER	DATE: 31JAN2005	
		APPROVED: G. MICHAEL	DATE: 31JAN2005	NAME: MICHAEL
				PRODUCT SPEC: PLUG, SERIES N
				APPLICATION SPEC: -
MATERIAL: -	FINISH: -	WEIGHT: -	SIZE: A1	CAGE CODE: 00779
			DRAWING NO: 5225661	RESTRICTED TO: -
			CUSTOMER DRAWING	SCALE: 4:1
			SHEET: 1 of 1	REV: 01